

M.2 SATA SSD (YASN600T)

Feature

- Interface: SATA3.0(6Gb/s)
- Low-Density Parity-Check (LDPC) Code
- Global Wear Leveling
- Flash bad-block management
- Flash Translation Layer: Page Mapping
- Support S.M.A.R.T.
- Support TRIM
- Power Loss Protection PLP

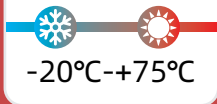
Yansen YSN600T-X-XXX

is a well-balanced M.2 SATA SSD with standard form factor and great performance. Designed in SATA 6 Gb/s interface, the SSD is able to deliver exceptional read/write speed, making it the ideal companion for heavy-loading industrial or server operations.

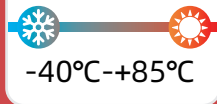
YSN600T-X-XXX

utilizes 2D NAND and capacity range is 8GB~256GB, the drive comes with various implementations including powerful hardware ECC engine, power saving modes, wear leveling, flash block management, S.M.A.R.T. and TRIM.

天元系列



天极系列



Tell:+86-755-2698 5379

Fax: +86-755-26985365

Email: info@yansen-ssd.com

After-sales Service:

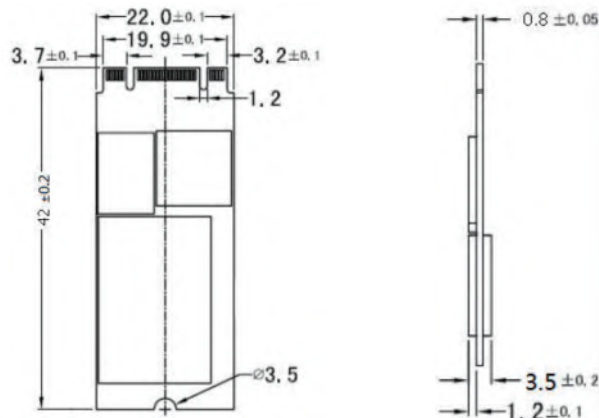
Tel: 400-7799-711

Email: support@yansen-ssd.com

Office: Room 1501-1503, Jinxiu Hongdu Building, at Meilong Road and Bulong Road in Minzhi Street, Long Hua District, Shenzhen, Guangdong, China. Zip Code: 518131

Factory: Factory:3rd/F.,E Block|Yalitong Ind. Park| Tangxia,Dongguan, Guangdong,China, 523710

YSN600T SERIES



Specifications

YSN600T-X-XXX	
Flash Type	MLC
Capacity	8GB~256GB
Sequential Read (MAX)	Up to 500MB/s
Sequential Write (MAX)	Up to 250MB/s
4K Random Read	21100 IOPS
4K Random Write	21300 IOPS
Operating Temperature	-20°C ~ 70°C, -40°C ~ 85°C
Storage Temperature	-55°C ~ +95°C
Humidity	5%-95% RH non-condensing
Shock	1500G/0.5ms
Vibration	80Hz~2000Hz/20G
Operating Voltage	DC 3.3V±5%
Power Consumption (MAX)	2.15W
Dimensions	L42.0mm*W22.0mm*H3.5mm ±0.15mm
MTBF	2 million hours

Order Information

	Temperature	8GB	16GB	32GB
YSN600T-S-XXX	-20°C ~ 75°C	YSN600T-S-008 (Enhance Series)	YSN600T-S-016 (Enhance Series)	YSN600T-S-032 (Enhance Series)
	-40°C ~ 85°C	YSN600T-S-008 (Extreme Series)	YSN600T-S-016 (Extreme Series)	YSN600T-S-032 (Extreme Series)
	Temperature	64GB	128GB	256GB
YSN600T-M-XXX	-20°C ~ 75°C	YSN600T-M-064 (Enhance Series)	YSN600T-M-128 (Enhance Series)	YSN600T-M-256 (Enhance Series)
	-40°C ~ 85°C	YSN600T-M-064 (Extreme Series)	YSN600T-M-128 (Extreme Series)	YSN600T-M-256 (Extreme Series)